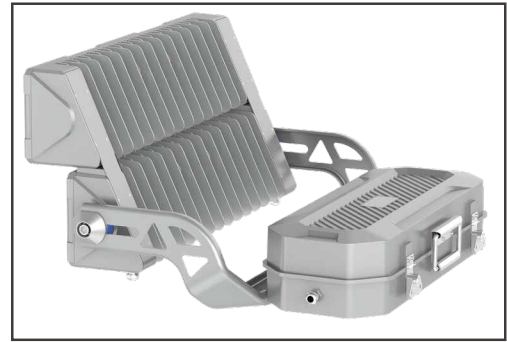




LED SPORTS & HIGH MAST LIGHT

A Professional Sports Lighting Solution For Sports Lighting & Area Lighting

Key Features



ADC12 Aluminum Die-casting Fixture Housing

Corrosion resistant treatment, Anti-rust, excellent thermal management, and long life-span.

Aluminum Removable Driver Box

Removable and remotely mountable power supply box(es) with tool-free access for quick and easy wiring

Polycarbonate Lens & Multiple Beam Angles

Anti-UV and high mechanical strength, Ik08.
10°, 15°, 25°, 45°, 60° and 90° options

Racked Angle

Widely adjustable mounting bracket with degree indicator

Tempered Glass Cover

4mm high strength tempered glass, further reduces the UV and anti-rust, typically designed for coastal areas.

Visor

Effectively control the spill light, upward light and avoid the lighting pollution.

High brightness LEDs

High luminous efficacy up to 150lm/W, high CRI, Ra>70,>80, >95 (TLCI>95, R9>0).

Family Pictures:



400W/500W/600W

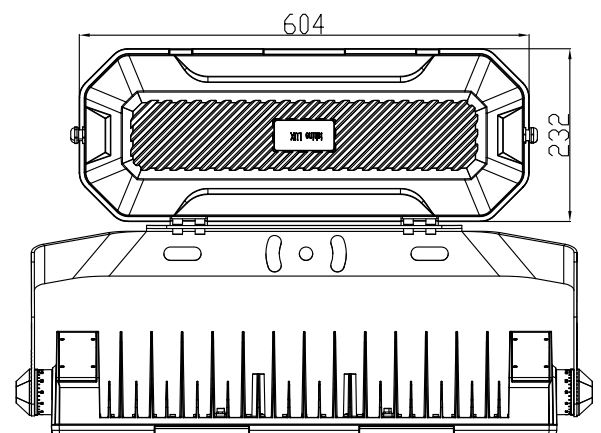
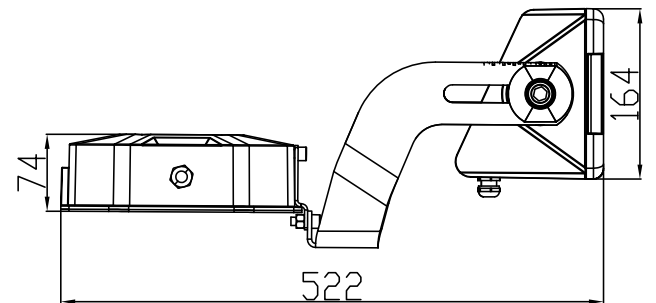
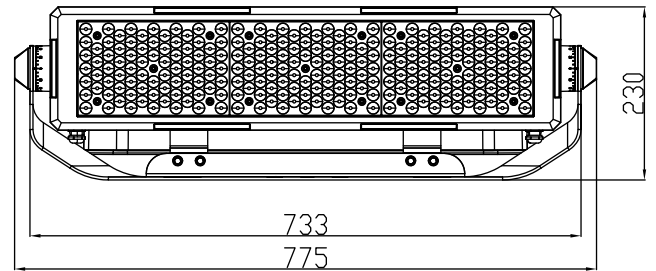
800W/1000W/1200W

1500W/1800W

2000W/2400W

LEO LED Sports & High Mast Light

LGS-GSLO-400W/500W/600W



Specifications

Optical Data

| | |
|---------------------|---|
| Power | 400W/500W/600W |
| CCT | 3000K-6500K |
| Lighting Efficiency | 150lm/W±5% |
| Lumen Flux | Refer to IES |
| LED Brand | LUMILEDS/OSRAM |
| Qty of LED | 3030-714PCS 3737-240PCS |
| Beam Angle | 3737 For 10°/15° 3030 For 25°/45°/60°/90° Asymetrical 60° |

Electrical Data

| | |
|---------------------------|---------------------|
| Driver Brand | MEANWELL/SOSEN/MOSO |
| Input Voltage | AC100-277V; 50-60Hz |
| Power Factor | >0.95 |
| Total Harmonic Distortion | <15% |
| Driver Efficiency | 92% |

Others

| | |
|----------------|----------------|
| IP Rating | IP66 |
| Lifespan | 50,000Hrs |
| Housing | Aluminum |
| Cover Material | Tempered Glass |
| Fixture Size | 775*290*230mm |
| Carton Size | 515*845*340mm |
| Net Weight | 16.55KG |
| Gross Weight | 18.50KG |

LEO LED Sports & High Mast Light

LGS-GSLO-800W/1000W/1200W



Specifications

Optical Data

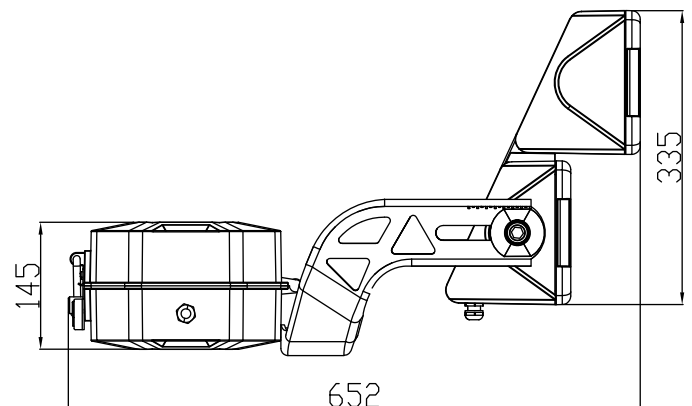
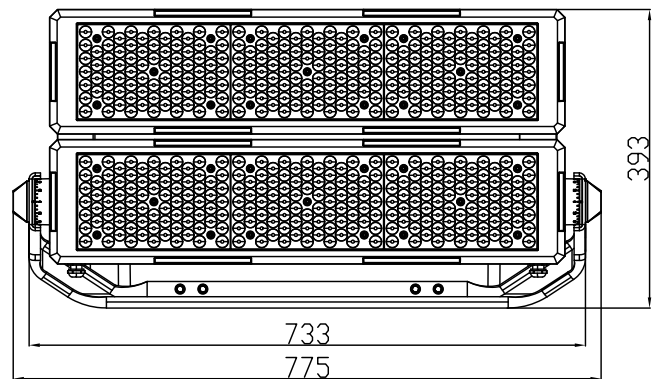
| | |
|---------------------|--|
| Power | 800W/1000W/1200W |
| CCT | 3000K-6500K |
| Lighting Efficiency | 150lm/W±5% |
| Lumen Flux | Refer to IES |
| LED Brand | LUMILEDS/OSRAM |
| Qty of LED | 3030-1428PCS 3737-480PCS |
| Beam Angle | 3737 For 10°/15° 3030 For 25°/45°/60°/90° Asymmetrical 60° |

Electrical Data

| | |
|---------------------------|---------------------|
| Driver Brand | MEANWELL/SOSEN/MOSO |
| Input Voltage | AC100-277V;50-60Hz |
| Power Factor | >0.95 |
| Total Harmonic Distortion | <15% |
| Driver Efficiency | 92% |

Others

| | |
|----------------|----------------|
| IP Rating | IP66 |
| Lifespan | 50,000Hrs |
| Housing | Aluminum |
| Cover Material | Tempered Glass |
| Fixture Size | 775*420*393mm |
| Carton Size | 780*840*325mm |
| Net Weight | 30.05KG |
| Gross Weight | 32.00KG |



LEO LED Sports & High Mast Light

LGS-GSLO-1500W/1800W



Specifications

Optical Data

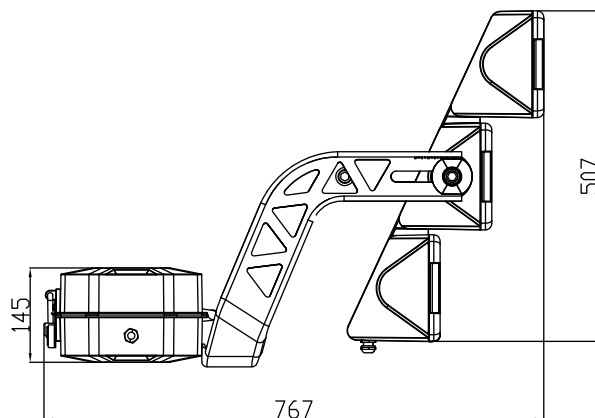
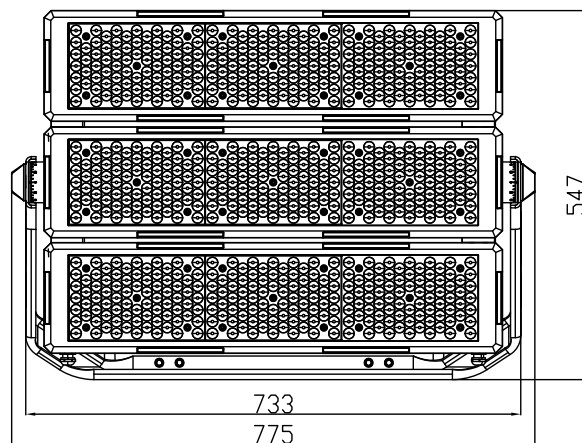
| | |
|---------------------|--|
| Power | 1500W/1800W |
| CCT | 3000K-6500K |
| Lighting Efficiency | 150lm/W±5% |
| Lumen Flux | Refer to IES |
| LED Brand | LUMILEDS/OSRAM |
| Qty of LED | 3030-2142PCS 3737-720PCS |
| Beam Angle | 3737 For 10°/15° 3030 For 25°/45°/60°/90° Asymmetrical 60° |

Electrical Data

| | |
|---------------------------|---------------------|
| Driver Brand | MEANWELL/SOSEN/MOSO |
| Input Voltage | AC100-277V;50-60Hz |
| Power Factor | >0.95 |
| Total Harmonic Distortion | <15% |
| Driver Efficiency | 92% |

Others

| | |
|----------------|----------------|
| IP Rating | IP66 |
| Lifespan | 50,000Hrs |
| Housing | Aluminum |
| Cover Material | Tempered Glass |
| Fixture Size | 775*535*547mm |
| Carton Size | 850*760*420mm |
| Net Weight | 40.08KG |
| Gross Weight | 42.50KG |



LEO LED Sports & High Mast Light

LGS-GSLO-2000W/2400W



Specifications

Optical Data

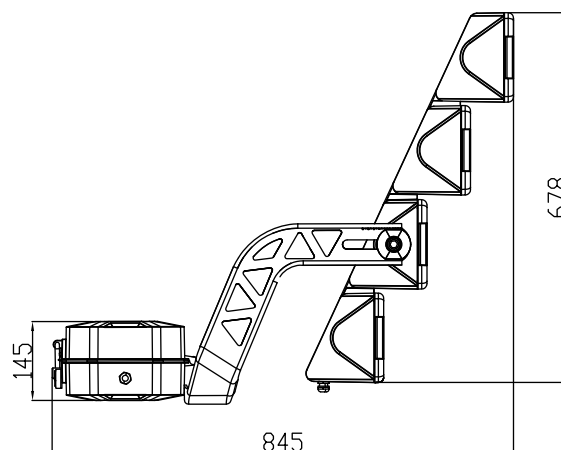
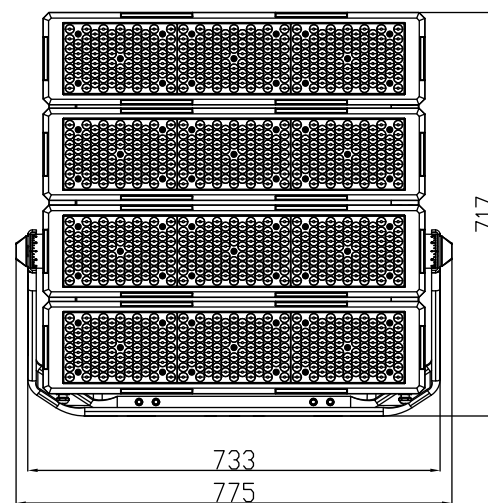
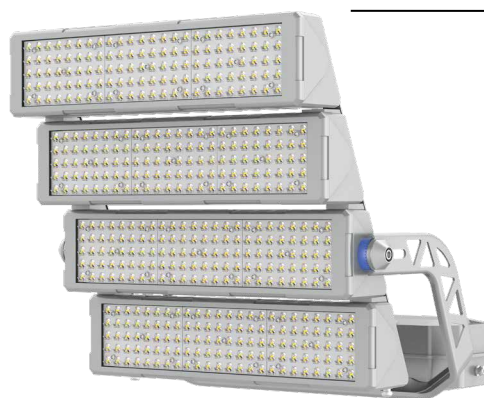
| | |
|---------------------|--|
| Power | 2000W/2400W |
| CCT | 3000K-6500K |
| Lighting Efficiency | 150lm/W±5% |
| Lumen Flux | Refer to IES |
| LED Brand | LUMILEDS/OSRAM |
| Qty of LED | 3030-2856PCS 3737-960PCS |
| Beam Angle | 3737 For 10°/15° 3030 For 25°/45°/60°/90° Asymmetrical 60° |

Electrical Data

| | |
|---------------------------|---------------------|
| Driver Brand | MEANWELL/SOSEN/MOSO |
| Input Voltage | AC100-277V;50-60Hz |
| Power Factor | >0.95 |
| Total Harmonic Distortion | <15% |
| Driver Efficiency | 92% |

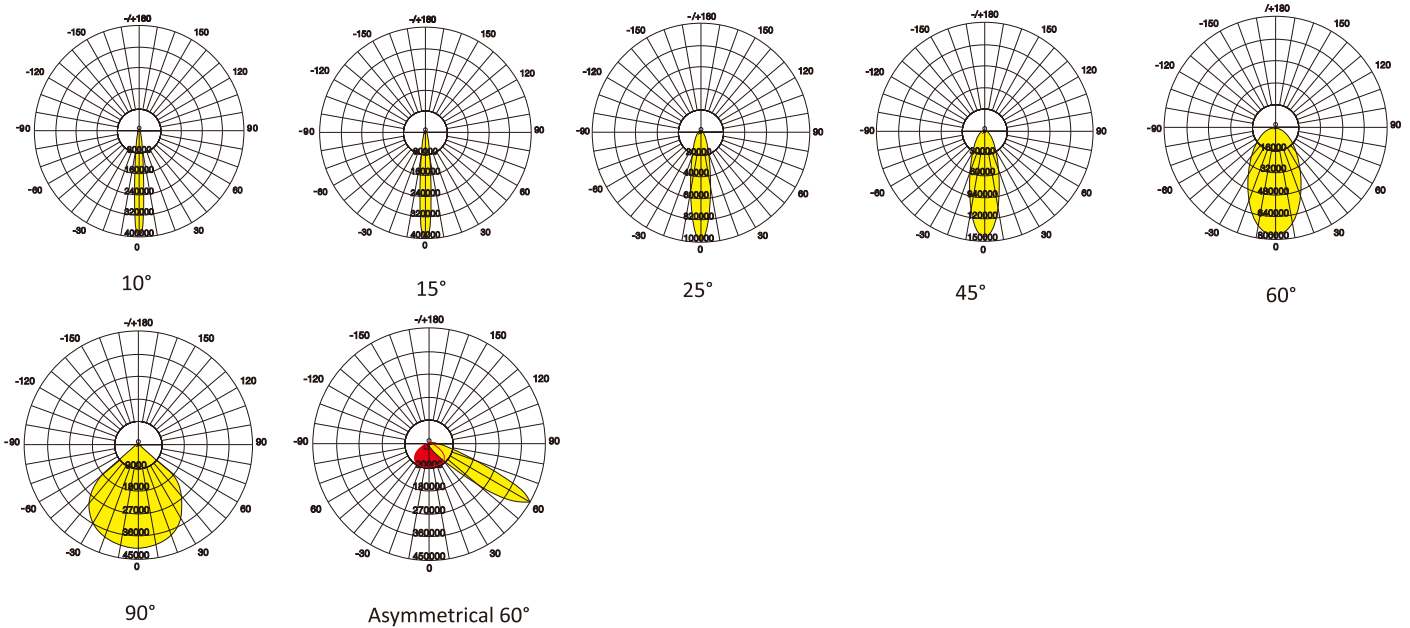
Others

| | |
|----------------|----------------|
| IP Rating | IP66 |
| Lifespan | 50,000Hrs |
| Housing | Aluminum |
| Cover Material | Tempered Glass |
| Fixture Size | 775*613*717mm |
| Carton Size | 945*885*530mm |
| Net Weight | 52.20KG |
| Gross Weight | 55.00KG |

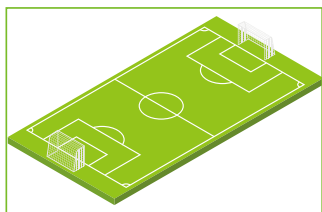


Light Distribution Curve

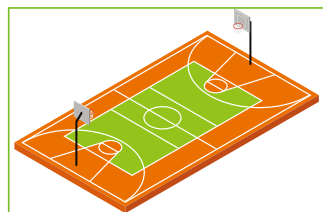
400W | 500W | 600W | 800W | 1000W | 1200W | 1500W | 1800W | 2000W | 2400W



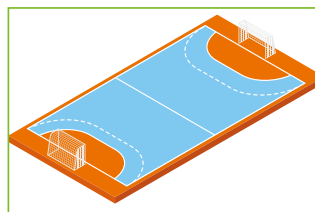
Application



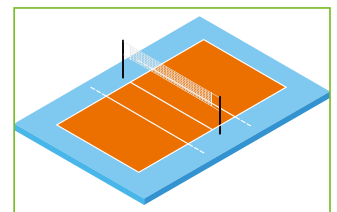
Soccer Field



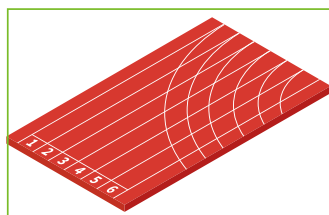
Basketball Court



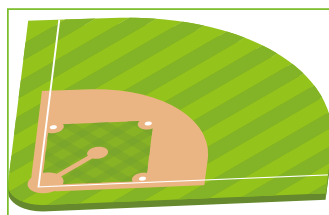
Hockey Field



Tennis Court



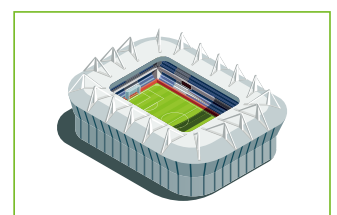
Athletic Field



Baseball Field



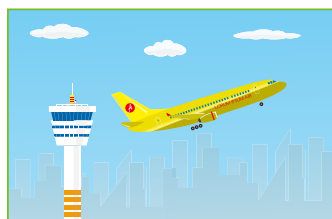
Badminton Court



Stadium Arena



Exhibition Center



AirPort